

## Steel Plunger Tip Benefits

Lower Price  
Easy to Use  
Internal Cooling Structure

Your Single Source for New and  
Reconditioned

### DIE CAST TOOLING

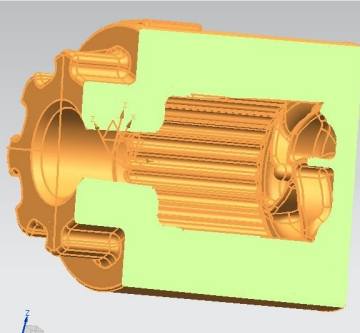
Discover our *Quality, Reliability*  
and *Personal Service*

**Shot Sleeves  
Plunger Rods  
Plunger Tips**

Manufactured and Heat Treated to  
Your Specifications

**CALL  
262-598-9989**

## Steel Cold Chamber Shot End Plunger Tip



### Features for improved heat transfer include:

Ribs along the inner diameter to increase surface area along with a turbine-style feature that helps to induce turbulence into coolant flow.

### Additional Information:

Designed to incorporate spanner wrench slots along with as-cast wrench flats.

Note: Copper alloy plunger tip in development and will be available soon.